

Busbar 250 A 4P and 6P with cover

www.victronenergy.com

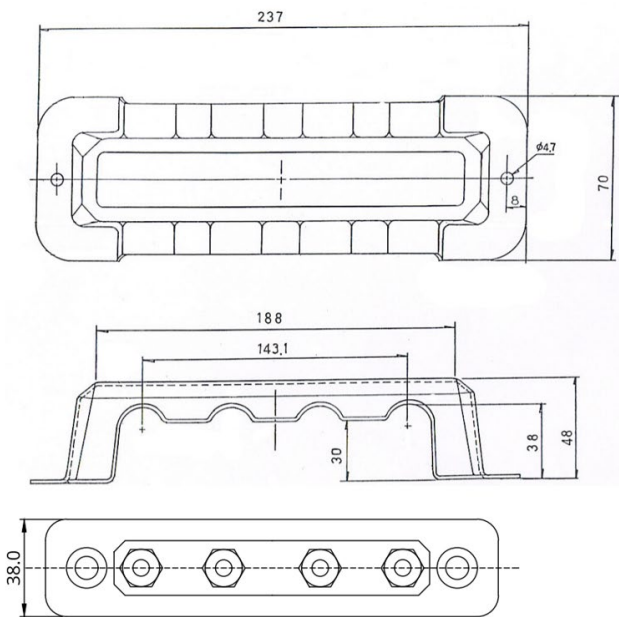


Busbar 250 A with 4 terminals without cover



Busbar 250 A with 6 terminals without cover

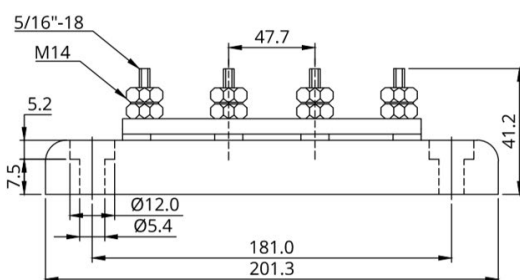
| Busbar 250 A with cover | |
|------------------------------------|--|
| Max. current rating | 250 A |
| Max. Voltage rating | 70 VDC |
| Terminal diameter | 5/16 inch / 8 mm |
| Terminal height | 0.67 inch / 17 mm |
| Terminal material | Stainless steel |
| Hex nut material | Tin-plated copper |
| Recommended torque | 110 lbf-inch / 13 N-m |
| Busbar strip material | Tin-plated copper (5 x 24 mm) |
| Base material | ABS, black, UL 94 V-0 |
| Cover material | ABS, black, UL 94 V-2 |
| Weight, 4 terminals | 0,5 lb / 0,24 kg |
| Dimensions (hxwxd) (with cover) | 1.9 x 9.4 x 2.8 inch 48 x 237 x 70 mm |
| Weight, 6 terminals | 1.0 lb / 0,43 kg |
| Dimensions (hxwxd) (with cover) | 1.9 x 9.4 x 2.8 inch 48 x 237 x 70 mm |



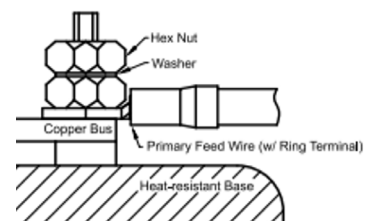
Cover for busbar 250 A with 4 terminals



Cover for busbar 250 A with 6 terminals



Busbar 250 A with 4 stud terminals and cover



Recommended mounting